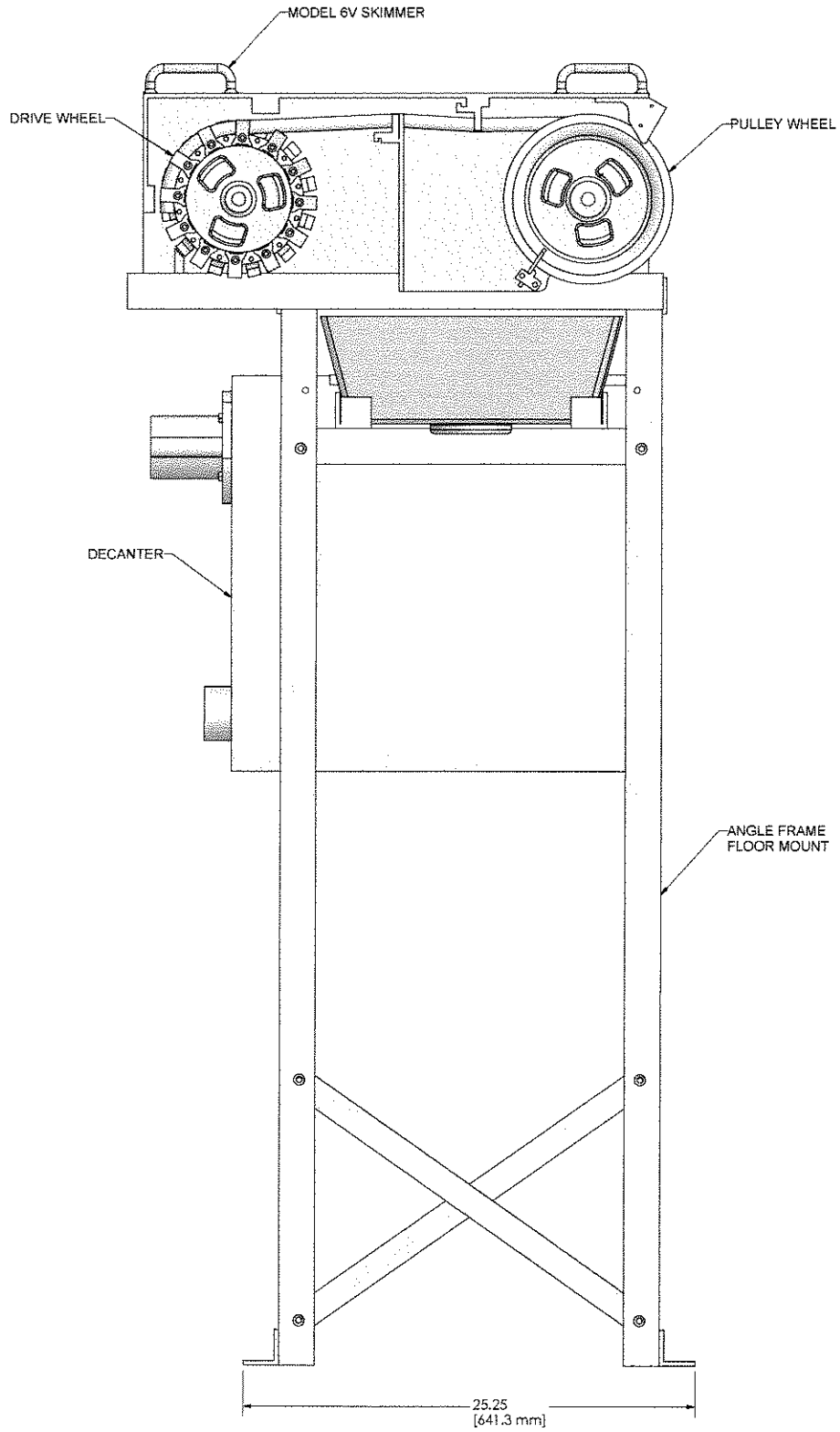


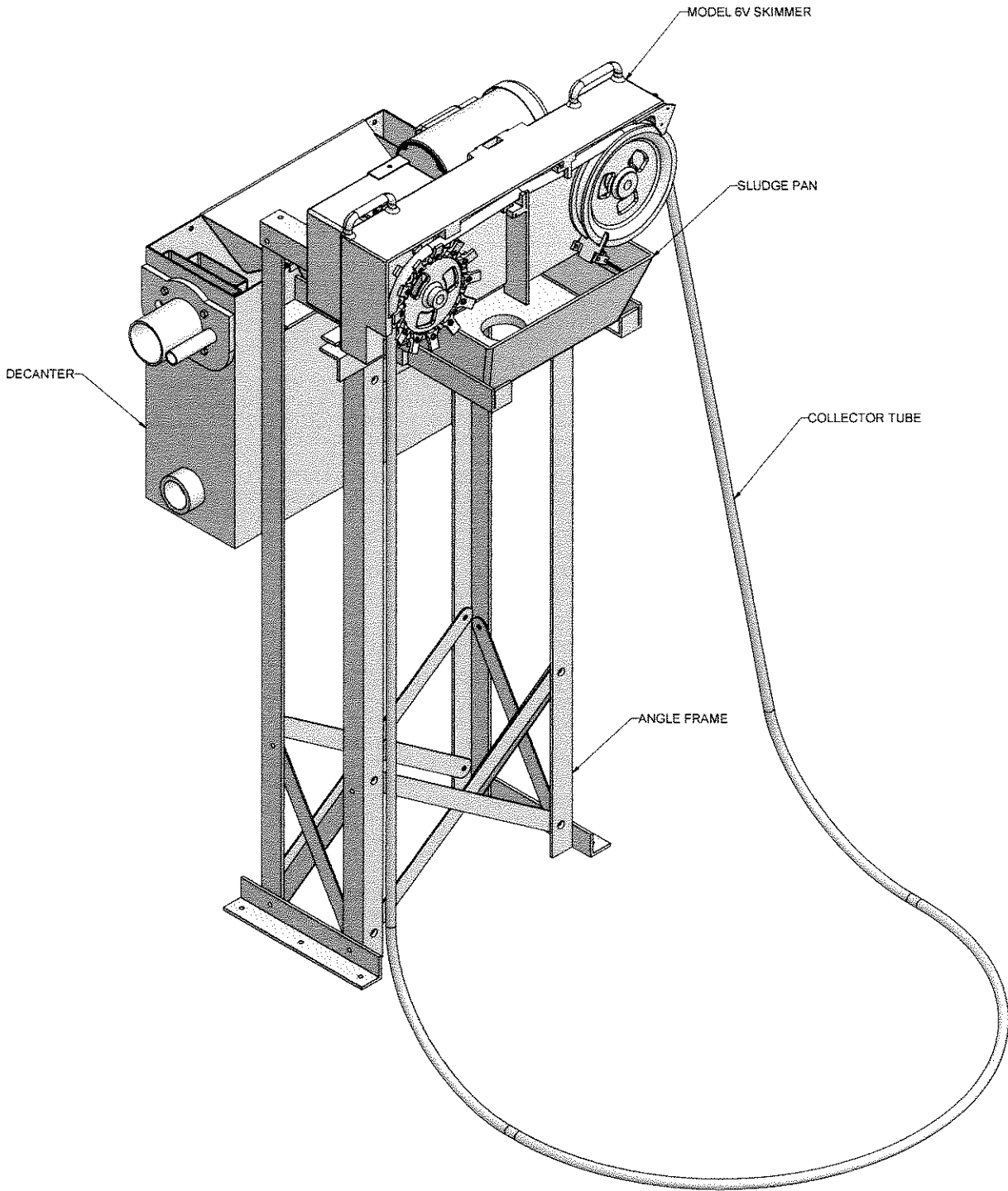
**OLSKIMMERS, INC.**

SCALE:	APPROVED BY:	DRAWN BY: CLDS
DATE: 05/08/01		REVISION:
TITLE: FLOOR FRAME MOUNT-60" WITH DECANter		
6V	DRAWING NUMBER: 102500 -2	



**OILSKIPPERS, INC.**

SCALE:	APPROVED BY:	DRAWN BY: CLDS
DATE: 05/08/01		REVISION:
TITLE: FLOOR FRAME MOUNT-60"WITH DECANTER		
6V		DRAWING NUMBER: 102500 -1



**OILSKIMMERS, INC.**

SCALE:	APPROVED BY:	DRAWN BY: CLDS
DATE: 05/08/01		REVISION:
TITLE: FLOOR FRAME MOUNT-60" WITH DECANTER		
DRAWING NUMBER:		102500 -3