

SK 2" Compact

Automatic Compact (stand alone)
disc filter for low flow rates



inlet/outlet

**50 mm
(2")**

max. flow rate

**20 m³/h
(44 gpm)**

filtration degrees

20 – 400 micron

max. operating pressure

**10 bar
(145 psi)**

features:

- Micron-precise depth filtration of solids
- Innovative disc technology captures and retains large amounts of solids
- Long-term operation with minimal maintenance
- Easy and simple operation
- Short automatic backwash with regulated water volume for a small water footprint
- Permanently eliminates the need to replace filter media
- Compact design

How the SK 2" Compact Filters Work

General

The Arkal SK 2" Compact filter is a stand alone, polymeric, automatic disc filters with a patented self-cleaning backwash mechanism.

The Arkal SK 2" Compact filter is for flow rates of up to 20 m³/h (88 gpm) with filtration degrees ranging from 20 – 400 micron. Inlet /Outlet - 50 mm (2") diameter.

The Filtration Process

The discs are stacked on the SpinKlin™ spine and assembled according to pre-determined water filtration requirements. During filtration, the discs are compressed by means of a pre-loaded spring and differential pressure, forcing the water to pass through the grooved disc surface, thus trapping the solids.

The Backwash Process

Activated by a pre-determined time command or differential pressure, the filter enters backwash mode. The inlet valve port shuts as the drain valve port opens. Water flows through a bypass filter screen into the outlet valve and into the filter. During the backwash process, pressure is released and the spine's piston elevates, releasing the compression on the discs. Tangential jets of filtered water are then forced through the nozzles positioned along the spine. At this stage the discs spin freely, loosening the trapped solids which are then flushed out.

*Please note: During backwash of the 2" Compact downstream flow is suspended.

External Source Backwash

The inlet and outlet valves automatically change position, and opens the drain and external source ports. Pressurized filtered water from the external source enters the filter through its outlet port and backwashes it.

Air Aided Backwash

Main benefits:

- Enhanced cleaning power, especially on fine filtration degrees
- Minimized backwash water volume
- Low pressure operation
- Reduced backwash time per filter pod (<10 sec)
- The air and water mix at a minimum pressure of 2.5 bar generates the optimal cleaning performance in spine technology

A clean & dry air pressure source is necessary to operate the filtration system (supplied by the customer).

Construction materials	
Filter Housing & Lid	RPP (Reinforce Polypropylene) & RPA (Reinforce Polyamide)
Disc elements	PA (Polyamide) or PP (Polypropylene)
Backwash valves	RPP (Reinforce Polypropylene) or RPA (Reinforce Polyamide)
Manifolds	PP (Polypropylene)
Seals	NBR or EPDM, (Viton optional)
Control Tubing	PE or PA

Disc material type availability according to filtration degree:

Color Code	Gray	Purple	Green	Brown	Black	Red	Yellow	Blue
Micron	20	40	55	70	100	130	200	400
PP Disc PA (Nylon) Disc	PP, PA	PP	PP, PA	PP, PA	PP, PA	PP, PA	PP, PA	PP

SK 2" Compact



Filter Type

2" Compact

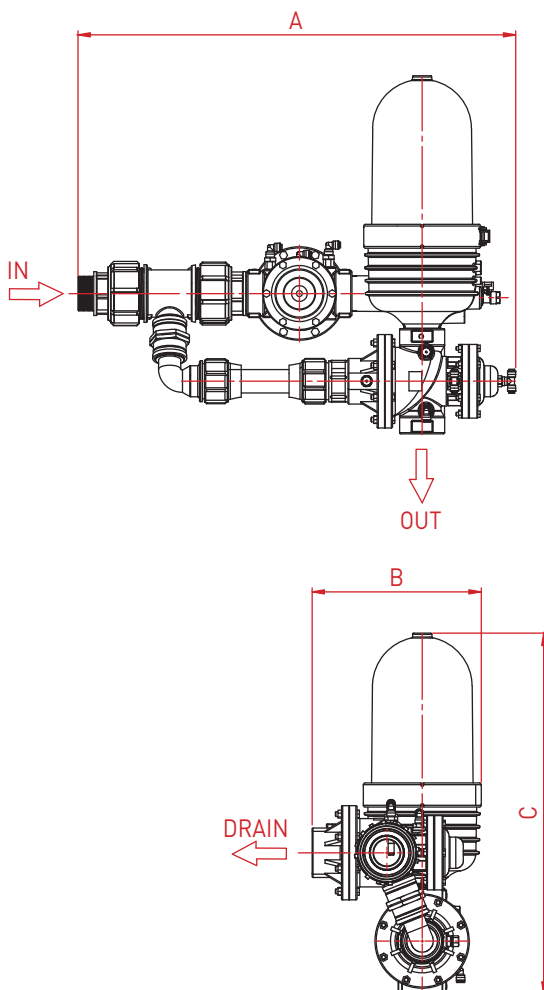
General Data

Max. working pressure	10 bar (145 psi)	
Min. backwash pressure	2.8 bar (40.6 psi)	
Max. recommended flow rates	100μ	15 m ³ /h (88 gpm)
	55μ	10 m ³ /h (44 gpm)
Filtration volume	1,148 cm ³ (70 in ³)	
Inlet/Outlet diameter	50 mm (2")	
Max. working temperature	60°C (140°F)	
Dry weight	20 kg (44 lb)	

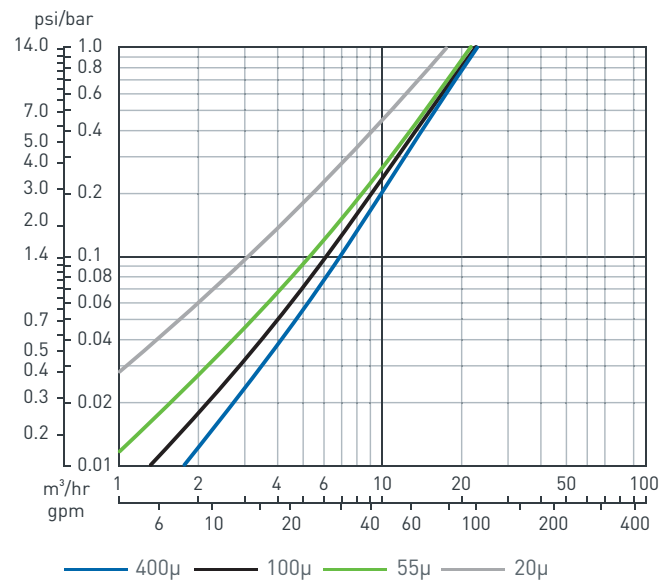
Backwash Data

Exhaust valve	50 mm (2")
Flushing time	20 sec
Minimum flow for backwash	10 m ³ /h (44 gpm)

Typical Installation Drawing



Head Loss Graphs (in clean water)



Dimensions		1 unit battery
A	Length	749 mm (29 1/2")
B	Width	287 mm (11 5/16")
C	Height	612 mm (24 3/32")

SK 2" Compact External Source

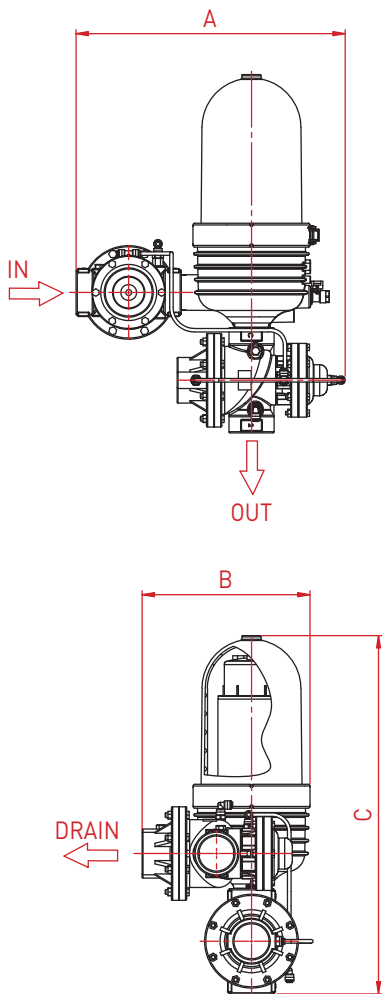


Filter Type	2" Compact EX.S.
-------------	------------------

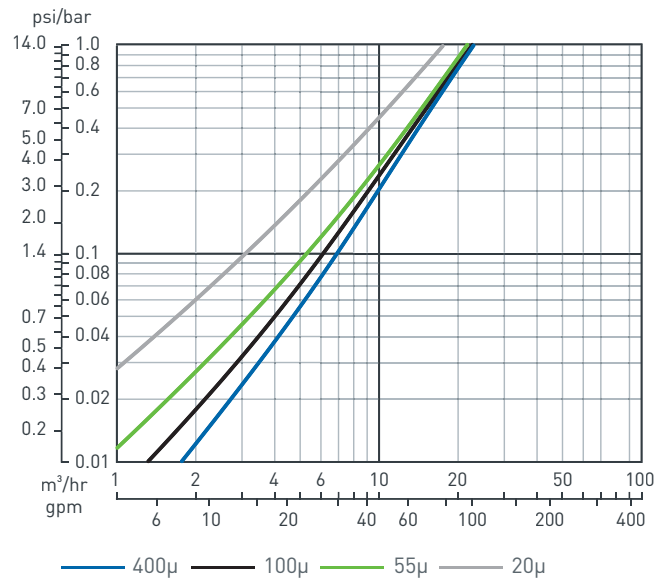
General Data		
Max. working pressure	10 bar (145 psi)	
Min. backwash pressure	2.8 bar (40.6 psi)	
Max. recommended flow rates	100 μ	15 m ³ /h (88 gpm)
	55 μ	10 m ³ /h (44 gpm)
Filtration volume	1,148 cm ³ (70 in ³)	
Inlet/Outlet diameter	50 mm (2")	
Max. working temperature	60°C (140°F)	
Dry weight	20 kg (44 lb)	

Backwash Data	
Exhaust valve	50 mm (2")
Flushing time	15 sec
Minimum flow for backwash	10 m ³ /h (44 gpm)

Typical Installation Drawing



Head Loss Graphs (in clean water)



Dimensions		1 unit battery
A	Length	460 mm (18 1/8")
B	Width	287 mm (11 5/16")
C	Height	612 mm (24 3/32")

SK 2" Compact Air-Aided

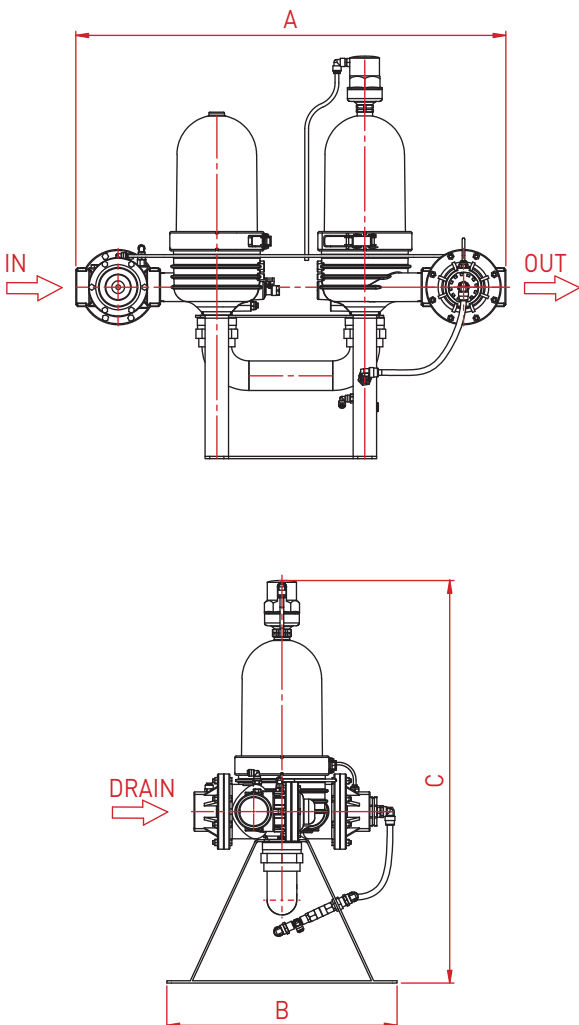


Filter Type	2" Compact Air-Aided
-------------	----------------------

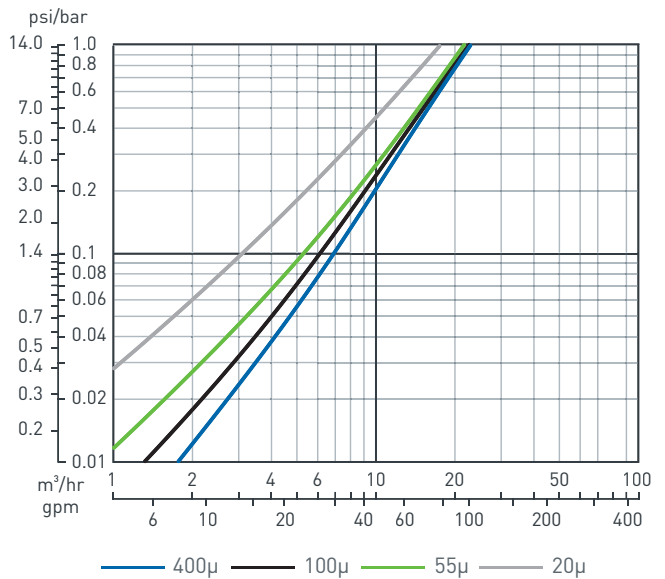
General Data		
Max. working pressure	10 bar (145 psi)	
Min. backwash pressure	2.8 bar (40.6 psi)	
Max. recommended flow rates	100 μ	15 m ³ /h (88 gpm)
	55 μ	10 m ³ /h (44 gpm)
Filtration volume	1,148 cm ³ (70 in ³)	
Inlet/Outlet diameter	50 mm (2")	
Max. working temperature	60°C (140°F)	
Dry weight	33.5 kg (73.7 lb)	

Backwash Data	
Exhaust valve	50 mm (2")
Flushing time	7 sec
Approx. volume for flushing (not include air)	10 liter (2.6 gallon)

Typical Installation Drawing



Head Loss Graphs (in clean water)



Dimensions		1 unit battery
A	Length	915 mm (36 1/32")
B	Width	490 mm (19 9/32")
C	Height	857 mm (33 3/4")

Headquarters

Amiad Water Systems Ltd. D.N. Galil Elyon 1, 1233500, Israel,
Tel: 972 4 690 9500, Fax: 972 4 814 1159,
E-mail: info@amiad.com

America



Amiad USA Inc. Main Office and Manufacturing: 120-J Talbert Road, Mooresville, NC 28117,
Tel: 1 704 662 3133, Fax: 1 704 662 3155, Toll Free: 1 800 24 FILTER,
E-mail: info@amiadusa.com www.amiadusa.com

West Coast Sales Office and Warehouse:
2220 Celsius Avenue, Oxnard, California 93030
Tel: 805 988 3323, Fax: 805 988 3313, Toll Free: 1 800 969 4055

Chile

Amiad Andina, Carretera General San Martín 16.500 No 30,
Loteo Industrial Los Libertadores, Colina, Santiago de Chile,
Tel: 56 2 24895100, Fax: 56 2 24895101, E-mail: amiadandina@amiad.com

Brazil

Amiad Sistemas de Água Ltda., Av. Funchal, 411, Conj. 42, Vila Olimpia, São Paulo, CEP 04551-060
Tel: +55 11 31923824, E-mail: infobrasil@amiad.com

Amiad Oil & Gas, E-mail: amisur@adinet.com.uy

Mexico

Amiad Mexico SA DE CV,
Priv. Retorno 8, Lote 3, Mza. 1, Interlomas Estado de Mexico
Tel/Fax: +52 55 636 28122, E-mail: info@amiadmexico.com

Asia



India

Amiad Filtration India Pvt Limited, 305 Sai Commercial Building,
Govandi St Rd, Govandi Mumbai 400 088,
Tel: 91 22-67997813/14, Fax: 91 22-67997814, Email: info@amiadindia.com

China

Amiad China (Yixing Taixing Environtec Co., Ltd.) 70 Baihe Chang, Xingjie Yixing Jiangsu, 214204,
Tel: 86 510 87134000, Fax: 86 510 87134999, E-mail: marketing@taixing.cc

South-East Asia

Filtration & Control Systems Pte. Ltd., 22 Sin Ming Lane #07-88 Midview City, Singapore 573969,
Tel: 65 6 337 6698, Fax: 65 6 337 8180, E-mail: amiad@amiad.com.sg

Australia



Amiad Australia Pty Ltd. 138 Northcorp Boulevard, Broadmeadows, Victoria 3047,
Tel: 61 3 93585800, Fax: 61 3 93585888, E-mail: sales@amiad.com.au

Europe



Amiad Water Systems Europe SAS, Ilot No4 ZI La Boitardière, 37530 Chargé, France,
Tel: 33 (0) 2 47 23 01 10, Fax: 33 (0) 2 47 23 80 67, E-mail: info@amiad-europe.com

Germany

Amiad Water Systems SAS Europe (German branch office)
Zweigniederlassung Deutschland Prinz-Regent-Str. 68 a 44795 Bochum,
Tel: 49 (0) 234 588082-0, Fax: 49 (0) 234 588082-10, E-mail: info@amiad.de

Turkey

FTS – Filtration & Treatment Systems, Istanbul yolu 26 Km, Yurt Orta Sanayii, Saray, Ankara,
Tel: 90 312 8155266/7, Fax: 90 312 8155248, E-mail: info@fts-filtration.com



www.amiad.com

910101-000561/10.2013

Copyright © 2013 Amiad Water Systems Ltd. All rights reserved. The contents of this catalogue including without limitation all information and materials, images, illustrations, designs, icons, photographs, graphical presentations, designs, literary works, data, drawings, slogans, phrases, names, trademarks, titles and any other such materials that appear in this catalogue (collectively, the "Contents") are the sole and property of Amiad Water Systems Ltd. ("Amiad"). Amiad has sole and exclusive right, title and interest in the Contents, including any intellectual property rights, whether registered or not, and all know-how contained or embodied therein. You may not reproduce, publish, transmit, distribute, display, modify, create derivative works from, sell or participate in any sale of, or exploit in any way, in whole or in part, any of the Contents or the catalogue. Any use of the catalogue or the Contents, other than for personal use, requires the advanced written permission of Amiad.