

Sigma

Automatic self-cleaning filter, which combines Amiad's superior Suction-Scanning mechanism with a Multi-Screen design, and a new innovative hydraulic turbine.



flowrate	filtration degrees
30 to 120 m³/h (132-528 gpm)	80 - 300 micron
inlet/outlet diameter	min. operating pressure during flush cycle
100 mm (4")	1.5 bar (22 psi)

Features:

- Based on Amiad's proven suction-scanning screen technology
- Very Large Screen Area
- High flow rate per unit
- Made of polymeric materials; fully resistant to corrosion and most fertilizers (PH > 5)
- Short and efficient self-cleaning process
- Very low energy consumption during flush
- Small footprint compared to other automatic filters
- Unique design, easy to maintain, few tools required
- Applications: Agriculture Irrigation open fields, landscape, green house, aquaculture
- Optional electronic controller AC or DC

* Patent pending

How the Sigma Filter Works

General

The Amiad "Sigma" filter is an automatic filter, with multiple screens operated by a single hydraulic turbine mechanism. With a capacity up to 120 m³/h (528 gpm) and from 80-300 micron filtration degree. Inlet/Outlet connections are 100 mm (4") diameter, and exhaust valve is 50 mm (2").

The Filtration

Raw water enters from the filter inlet and passes through the multi-screens. Clean water flows through the filter outlet. The gradual dirt buildup on the inner screen surface causes a filter cake to develop, with a corresponding increase in the pressure differential across the multi-screens. A pressure differential switch (hydraulic or electric) senses the pressure differential and when it reaches a pre-set value, the self-cleaning process begins.

The Control System

The "Sigma" operation and cleaning cycle is controlled and monitored by a hydraulic rinse control, or an electronic battery/AC controller.

During the self-cleaning cycle the rinse control operates the exhaust valve by means of an hydraulic command, and when the cycle is complete, it automatically closes the exhaust valve and waits for the next cycle. In the case of the electronic controller, the self-cleaning cycle is triggered by the DP switch, then the AC or DC controller switches the solenoid to open or close the exhaust valve by means of a hydraulic command, when cycle is complete, the controller will shut the exhaust valve and wait for another cleaning command.

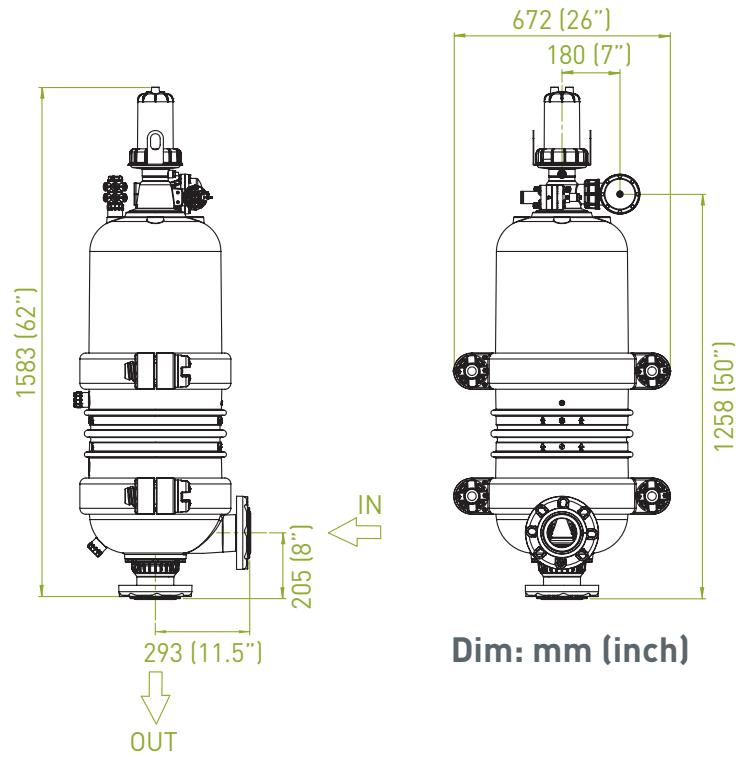
The self-cleaning cycle begins under any one of the following conditions:

1. Receiving a signal from the Pressure Differential Device - which is preset at 0.5 bar.
2. Time interval parameter set at the controller (electronic controller only).
3. Manual Start, triggered by 3 way ball valve or via electronic controller keypad.

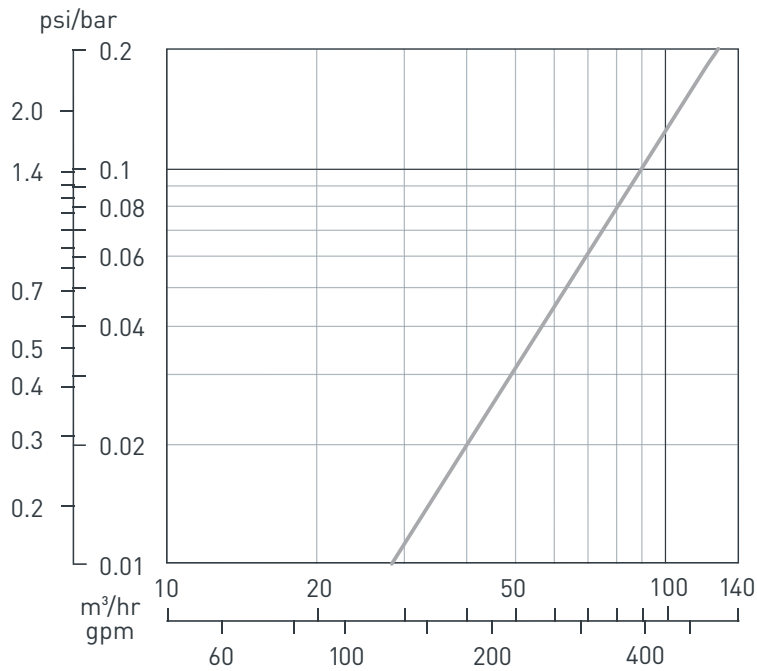
The electronic controller also provides:

- Flush cycles counter
- Alerts output – low battery, DP cycle

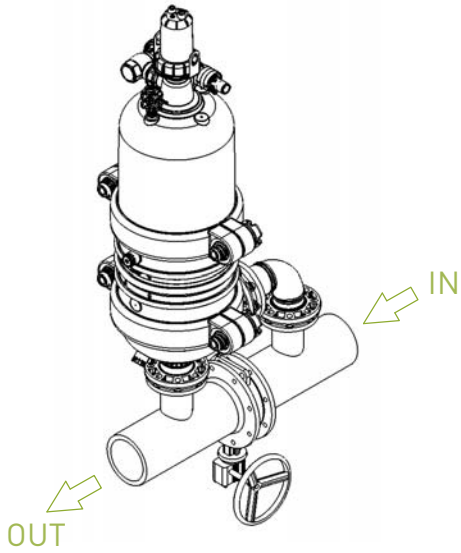
Sigma 4" dimensions



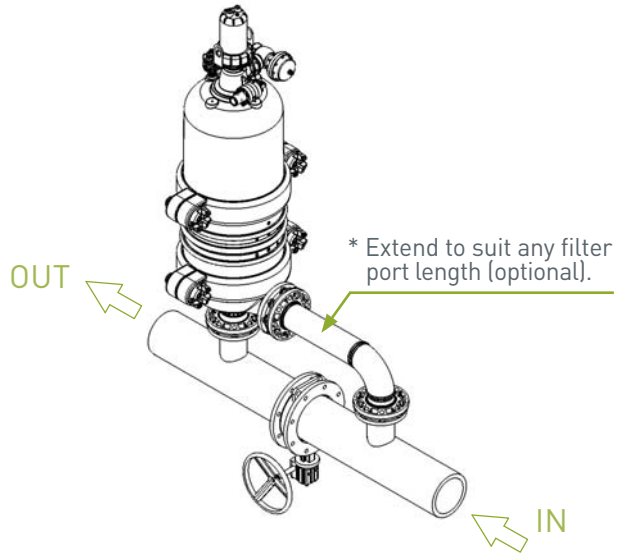
Head Loss Graph (in clean water)



**Single Filter
Recommended installation**

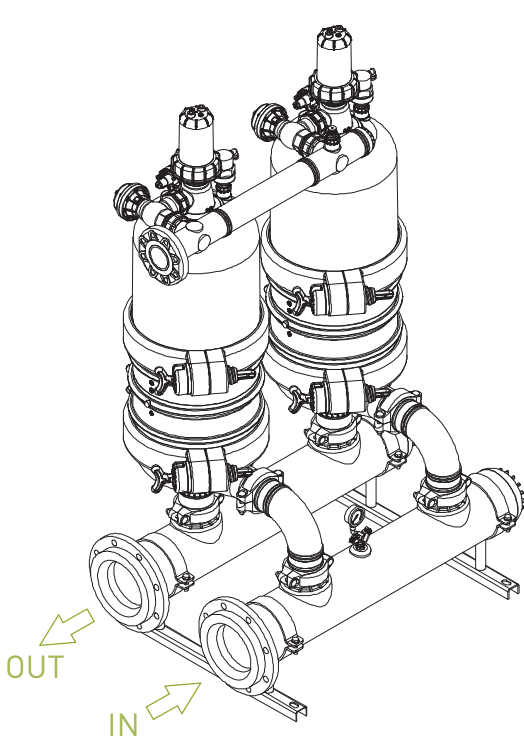


**Single Filter
Recommended installation as
a replacement for a parallel filter**



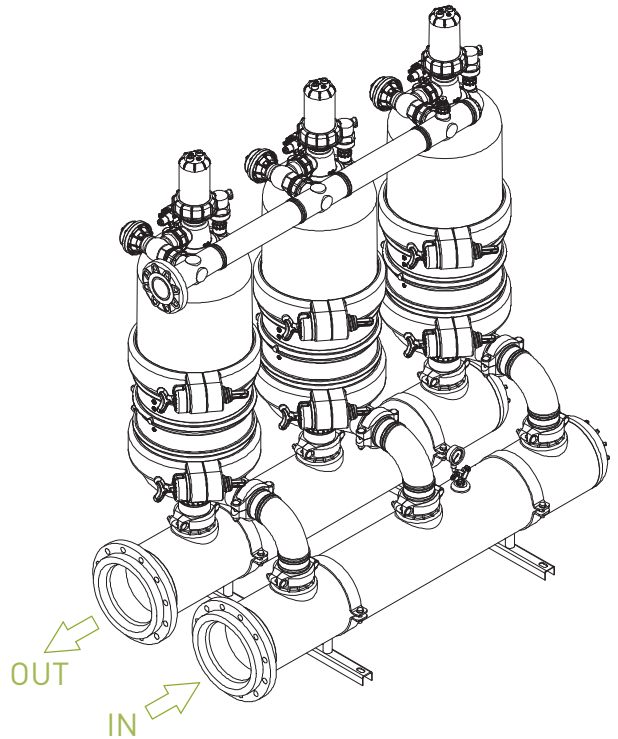
* Filter installation only in vertical position, upright plumb.

Sigma 4" installation of 2 units with manifold, flow up to 240 m³/h (1,056 gpm)



* 8" [200 mm] inlet/outlet.

Sigma 4" installation of 3 units with manifold, flow up to 360 m³/h (1,584 gpm)



* 10" [250 mm] inlet/outlet.

Technical Specifications

General data*	Sigma 4"
Max. flowrate (100µ) in average water quality	120 m ³ /h (528 gpm)*
Min. operating pressure when cleaning	1.5 bar (22psi)
Max. operating pressure	10 bar (145 psi)
Filtration area	6,000 cm ² (930 in ²)
Inlet/Outlet diameter	4" (100 mm) Flange & Victaulic
Weight	Empty: 75 kg (110 lb) Full: 145 kg (213 lb)

* Refer to Amiad's flow recommendation per water quality.

Hydraulic control	
Rinse control	PP (Polypropylene), PA (Polyamide)
DP switch	Built-in rinse controller set at 0.5 bars
Operation mode	3 way ball valve, indicate: Automatic & Manual

Optional electronic control	
Control voltage	6 VDC or 24 VAC
Control power supply	4 D type 1.5V batteries/AC power
Solenoid operation data	12-9 VDC latching solenoid or 24VAC solenoid
DP switch	Dry contact switch

Flushing Data	
Exhaust valve	2" (50 mm)
Flushing cycle time	20 sec
Reject water volume per flush cycle	approx. 150-200 liter (40-53 gallons)

Construction materials	Sigma 4"
Filter Housing & Lid	RPP (Reinforced Polypropylene) RPA (Reinforced Polyamide)
Screens	Molded Weave wire 316L, screen mesh
Cleaning mechanism	PBT (Polybutylene)
Exhaust valve	Polymeric actuator
Seals	EPDM
Control command tubing	PE (Polyethylene)

Standard Filtration Degrees					
micron	300	200	130	100	80
mm	0.3	0.2	0.13	0.1	0.08

Headquarters

Amiad Water Systems Ltd. D.N. Galil Elyon 1, 1233500, Israel,
Tel: 972 4 690 9500, Fax: 972 4 814 1159,
E-mail: info@amiad.com

America



Amiad USA Inc. Main Office and Manufacturing: 120-J Talbert Road, Mooresville, NC 28117,
Tel: 1 704 662 3133, Fax: 1 704 662 3155, Toll Free: 1 800 24 FILTER,
E-mail: info@amiadusa.com www.amiadusa.com

West Coast Sales Office and Warehouse:
2220 Celsius Avenue, Oxnard, California 93030
Tel: 805 988 3323, Fax: 805 988 3313, Toll Free: 1 800 969 4055

Chile

Amiad Andina, Carretera General San Martín 16.500 No 30,
Loteo Industrial Los Libertadores, Colina, Santiago de Chile,
Tel: 56 2 24895100, Fax: 56 2 24895101, E-mail: amiadandina@amiad.com

Brazil

Amiad Sistemas de Água Ltda., Av. Funchal, 411, Conj. 42, Vila Olímpia, São Paulo, CEP 04551-060
Tel: +55 11 31923824, E-mail: infobrasil@amiad.com

Amiad Oil & Gas, E-mail: amisur@adinet.com.uy

Mexico

Amiad Mexico SA DE CV

Priv. Retorno 8, Lote 3, Mza. 1, Interlomas Estado de Mexico
Tel/Fax: +52 55 636 28122, E-mail: info@amiadmexico.com

Asia



India

Amiad Filtration India Pvt Limited, 305 Sai Commercial Building,
Govandi St Rd, Govandi Mumbai 400 088,
Tel: 91 22-67997813/14, Fax: 91 22-67997814, Email: info@amiadindia.com

China

Amiad China (Yixing Taixing Environtec Co., Ltd.) 70 Baihe Chang, Xingjie Yixing Jiangsu, 214204,
Tel: 86 510 87134000, Fax: 86 510 87134999, E-mail: marketing@taixing.cc

South-East Asia

Filtration & Control Systems Pte. Ltd., 22 Sin Ming Lane #07-88 Midview City, Singapore 573969,
Tel: 65 6 337 6698, Fax: 65 6 337 8180, E-mail: amiad@amiad.com.sg

Australia



Amiad Australia Pty Ltd. 138 Northcorp Boulevard, Broadmeadows, Victoria 3047,
Tel: 61 3 93585800, Fax: 61 3 93585888, E-mail: sales@amiad.com.au

Europe



Amiad Water Systems Europe SAS, Ilot No4 ZI La Boitardière, 37530 Chargé, France,
Tel: 33 (0) 2 47 23 01 10, Fax: 33 (0) 2 47 23 80 67, E-mail: info@amiad-europe.com

Germany

Amiad Water Systems SAS Europe (German branch office)
Zweigniederlassung Deutschland Prinz-Regent-Str. 68 a 44795 Bochum,
Tel: 49 (0) 234 588082-0, Fax: 49 (0) 234 588082-10, E-mail: info@amiad.de

Turkey

FTS – Filtration & Treatment Systems, Istanbul yolu 26 Km, Yurt Orta Sanayii, Saray, Ankara,
Tel: 90 312 8155266/7, Fax: 90 312 8155248, E-mail: info@fts-filtration.com

